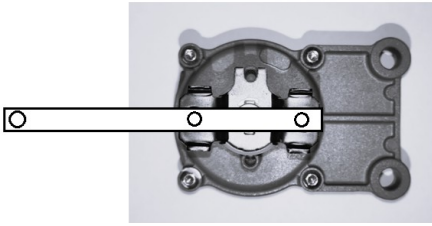
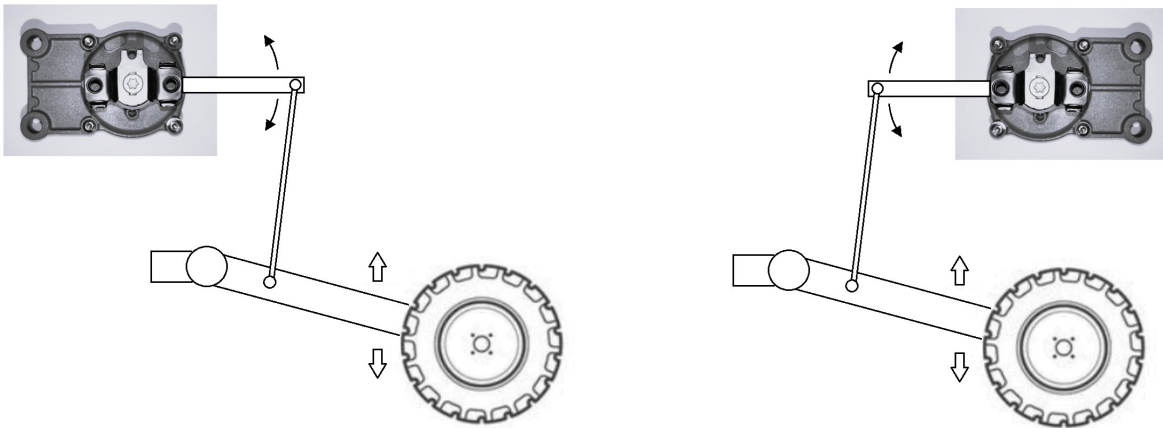


### Sensor Installation

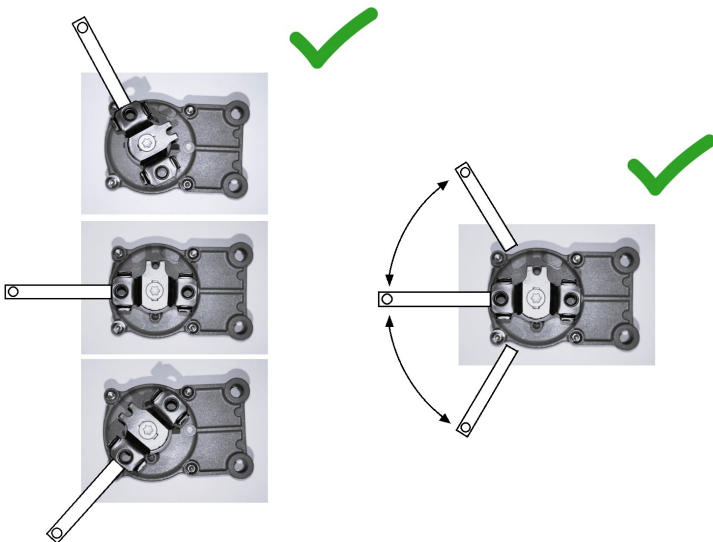
- Attach an arm to the rotating sensor bracket ( 2 x M6 screws )
- Use thin flat bar or lightweight rod



- Attach to the machine linkage with a rod or flat bar assembly



Sensor working range OK  
Keep the sensor inside this range



Sensor out of range  
Do not let sensor rotate fully up or down  
Sensor reading will be WRONG

